

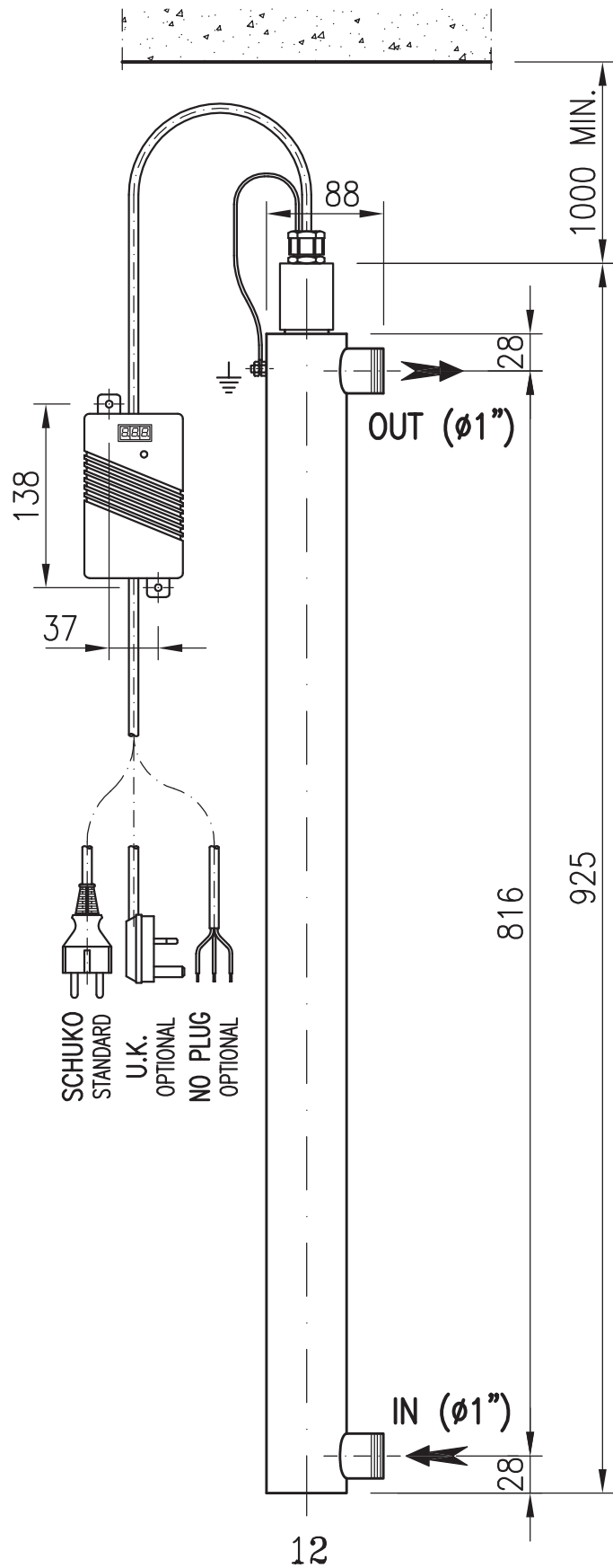
Technical Data

GENERAL INFORMATION	
Max flow rate	45 l/m
UVC transmittance	99%- 1 cm
UVC dose	300 J/m ²
Water Temperature range	5-50° C
Total consumption	44 W
Mounting	Vertical or horizontal

UV REACTOR	
Material	Stainless Steel 304 (optional 316L)
Connections	Thread 1" M
Total Volume	1,8 l
Total weight	2.5 kg
Max working pressure	10 bars g
Protection class	IP 55
Shape	U
Flow direction	From bottom to top

UV LAMP	
Number	1
Lifespan	9000 hr
Lamp power	40 W
Type	Low pressure type 028104

CONTROL PANEL	
	AL²
Material	Thermoplastic
Dimensions	118 x 60 x 64 mm
Protection class	IP 54
Ambient temperature range	5 – 45 °C
Power supply	230 V - 50/60 Hz
Lamp cable length	1 m
Power supply cable	1 m
Feed plug	SCHUKO, UK or passing wires
Monitor display	Digital
Days meter	Yes for total system life
Resettable days meter	Yes for lamp life control
Audio alarm	With silence options



NOTA:

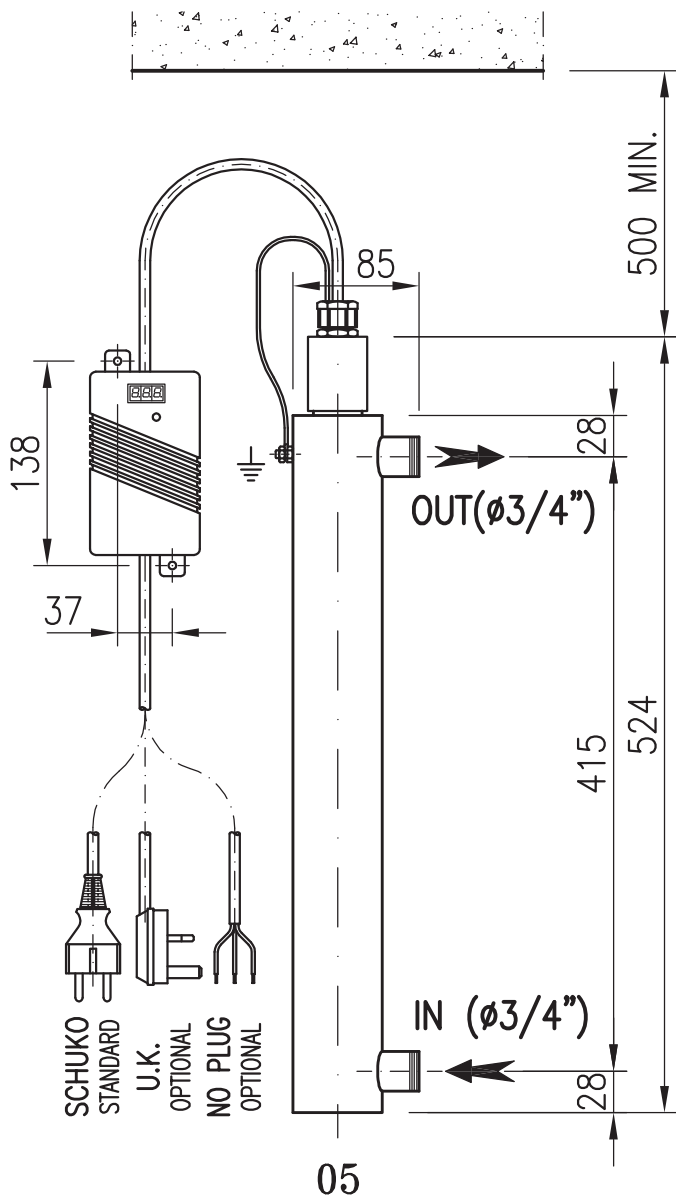
– LE DIMENSIONI DI INGOMBRO INDICATE SONO SUSCETTIBILI DI MINIME VARIAZIONI DOVUTE ALLE TOLLERANZE COSTRUTTIVE E DI ASSEMBLAGGIO DEI COMPONENTI MECCANICI IMPIEGATI

NOTE:

– THESE OVERALL DIMENSIONS CAN CHANGE A LITTLE BECAUSE OF THE CONSTRUCTIVE TOLERANCES AND THE ASSEMBLING OF MECHANICAL COMPONENTS YOU USED.

NOTE:

– CES TOTALES DIMENSIONS PEUVENT SUBIR DES MOINDRES MODIFICATIONS POUR LES CONSTRUCTIVES TOLERANCES ET L' ASSEMBLAGE DES MECANIQUES ELEMENTS UTILISES.



REVISIONE	DESCRIZIONE	DATA	DISEGNATO	APPROVATO
A	PRIMA EMISSIONE	07/12/16	SCHENONE	MAZZONE
TITOLO		CODICE		
DISINFEZIONE UV-C		/		
MODELLI 05 & 12		F.to	A4	Scala /
ASSIEME GENERALE		Foglio	01	di 01
CLIENTE				