

electromagnetic flowmeter

**Specific for installations with "0 diameters"
near curves, fittings etc ...**

Dn 50 ÷ 150 mm

Accuracy: $\pm 0.2\% \pm 0.5\%$

ABS sensor and lining

Battery powered, 5 years battery life



Battery-powered flowmeters do not require external power supply, therefore they are a valid alternative to conventional mechanical measuring systems and in isolated applications without power supply.

Thanks to the particular internal geometry it is less influenced by the proximity of disturbing elements such as fittings, curves etc. and can therefore be installed at "ZERO DIAMETERS". This meter is suitable for use with a wide range of conductive liquids, also chemically aggressive, thanks to the possibility of selecting the most suitable electrode material for the application.

TECHNICAL FEATURES

Flow rate range

It is able to process signals from fluids with flow rates of up to 10m / s in both directions (bidirectional meter).

Range dimension / lining material

ABS DN50 ÷ DN150

Sensor material

ABS

Housing material

epoxy painted aluminium

Electrodes material

SS316L - Hastelloy C - Titanium - Tantalum - Platinum

Measure range

<3m³/h ÷ >600m³/h

Accuracy

$\pm 0,5\%$ standard; $\pm 0,2\%$ optional

Repeatability

$\pm 0,1\%$

Fluid conductivity

>5 μ S/cm.

Power supply

Battery, 5 years life

Ambient Temperature Limits

Remote version operating temperature: ABS -20 ÷ +120°C

Compact version operating temperature: ABS -20 ÷ +75°C

Storage temperature: -40÷85°C

Communication protocol

Modbus RTU

Output

Frequency: 0,1 ÷ 5000 Hz

Pulse: open collector

Reverse Flow

Allows measure and totalization of reverse flow

Output test

Frequency output: the transmitter can force the output signal from 0.1 to 5000 Hz to a test value.

Startup time

0.5s from zero flow.

Cutoff

Adjustable 0.0 ÷ 9.9% of the Qmax. Below the set value the display of the instantaneous flow and the outputs are forced to zero.

Humidity Limits

0-100% RH to 150 °F (65 °C), not condensing.

Damping

Adjustable between 1 and 99 seconds.

Compact version IP rating

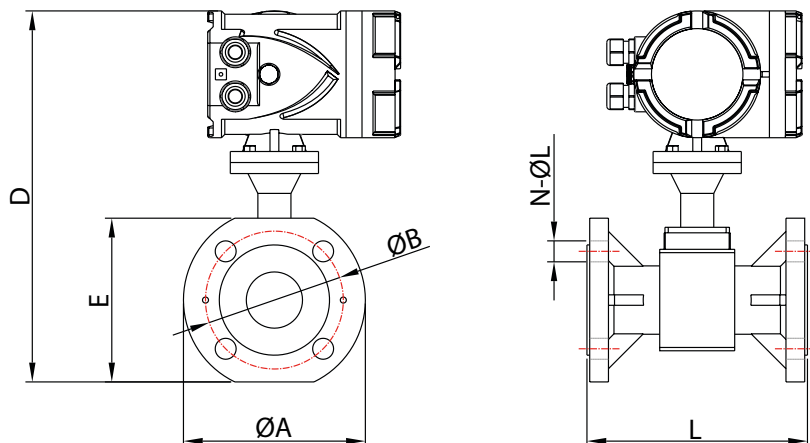
IP67

Remote version IP rating

sensor IP67 / IP68 (by request) - converter IP67

Anti-condensation filter

Anti-condensation filter installed on converter



| DN (mm) | L (mm) | ØA (mm) | ØB (mm) | E (mm) | D (mm) | N-ØL (mm) |
|---------|--------|---------|---------|--------|--------|-----------|
| 50 | 200 | 165 | 125 | 150 | 340 | 4-Ø18 |
| 80 | 200 | 200 | 160 | 185 | 370 | 8-Ø18 |
| 100 | 250 | 220 | 180 | 205 | 385 | 8-Ø18 |
| 150 | 300 | 285 | 240 | 285 | 500 | 8-Ø22 |

Battery electromagnetic flowmeter in ABS

Zero diameter mounting.

For conductive fluids. With sensor body in ABS

Medium ambient temperature range: -20° + 75°C

IP67 electronic housing with anticondensation filter

| | |
|---|---|
| Version | |
| E | Remote - 0,2% accuracy - standard cable 5m (over 5m eur 7,00 each additional m - max 50m) |
| F | Remote - 0,5% accuracy - standard cable 5m (over 5m eur 7,00 each additional m - max 50m) |
| W | Compact - 0,2% accuracy - max temperature of the fluid 100°C |
| Y | Compact - 0,5% accuracy - max temperature of the fluid 100°C |
| DN flange / Max. pressure / Lining (temperature range of the fluid) | |
| 0050E4 | DN50 / 1.6MPa / ABS (-20° + +120°C); range 3 + 66m3/h; standard UNI 1092-1 |
| 0080E4 | DN80 / 1.6MPa / ABS (-20° + +120°C); range 8,9 + 180m3/h; standard UNI 1092-1 |
| 0100E4 | DN100 / 1.6MPa / ABS (-20° + +120°C); range 11 + 282m3/h; standard UNI 1092-1 |
| 0150E4 | DN150 / 1.6MPa / ABS (-20° + +120°C); range 30 + 600m3/h; standard UNI 1092-1 |
| Process connection | |
| B | DIN flange - UNI 1092-1 |
| Electrodes material | |
| 1 | SS316L |
| 3 | Hastelloy C |
| 4 | Titanium |
| 5 | Tantalum |
| 6 | Platinum |
| Power supply | |
| D | Battery - 5 years life |
| Accessories | |
| 0 | None |
| Output | |
| A | Pulse |
| E | Pulse + MODBUS |
| Pipe protection degree | |
| 1 | IP67 |
| 2 | IP68 (only for remote version) |