

COMPANY
MANAGEMENT SYSTEM
CERTIFIED BY DNV GL
= ISO 9001 =
= ISO 14001 =



ISO 4064/2014 - R80

Turbine water meters with pulse
emitter - reed switch type

Turbine water meters with pulse emitter - reed switch type

PERFORMANCE ACCORDING TO ISO 4064/2014 NORME

SIZE		PERMANENT FLOW Q ₃ (m ³ /h)	MAXIMUM FLOW Q ₄ (m ³ /h)	TRANSITIONAL FLOW Q ₂ (L/h)	MINIMUM FLOW Q ₁ (L/h)	WORKING PRESSURE (bar)	TEMPERATURE CLASS
(mm)	(inch)						
13/15	1/2"	2,5	3,125	50	31,3	16	T50/T90
20	3/4"	4.0	5,000	80	50,0	16	T50/T90
25	1"	6,3	7,875	126,0	78,8	16	T50/T90
30/32	1"1/4	10,0	12,500	200,0	125,0	16	T50/T90
40	1"1/2	16,0	20,000	320,0	200,0	16	T50/T90
50	2"	25,0	31,250	500,0	312,5	16	T50/T90

Metrological class (Q₃/Q₁) R = 80

REED SWITCH TECHNICAL DATA

PULSE FREQUENCY RANGE K - (Lt/pulse)	1	10	100	1000
	0,5	5	50	500
	0,25	2,5	25	250

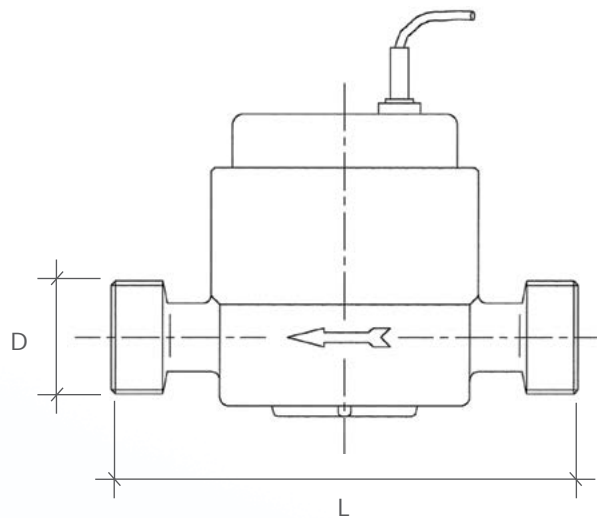
REED SWITCH MECHANICAL DATA		
WIRE DIAMETER	(mm)	4
WIRE LENGTH	(mt)	3
WORKING TEMPERATURE	(°C)	-20 /+100

REED SWITCH ELECTRICAL DATA		
MAX CONTACT RATING	(VA)	1,0
MAX SWITCHING CURRENT	(A)	0,1
MAX CARRYING CURRENT	(A)	0,3
MAX SWITCHING VOLTAGE	(VDC)	150min

DIMENSIONS

SIZE	(mm)	13/15	20	25	30/32	40	50*
	(inch)	1/2"	3/4"	1"	1"1/4	1"1/2	2"
L (mm)		110/165	130/190	260/160	260/160	300/200	300
D (inch)		3/4"	1"	1"1/4	1"1/2	2"	2"1/2
TOTAL LENGTH OF CONNECTORS (mm)		80	100	100	120	140	160

*Size DN 50 mm is available also in flanged version ISO PN 10/16



Rev. 4/2017 The content of this data sheet is intended to give general information only, we reserve the right to make alterations without prior notification

For additional information and options, do not hesitate to contact us