

electromagnetic flowmeter

Flow rate and temperature measurement

Accuracy $<(\pm 0.8\%$ of the measured value + 0.5% of full scale)

Measuring body totally in AISI 316L

Internal coating in PEEK

Fully configurable measurement, monitoring and dosing functions

Bidirectional measurement

Max pressure 16bar; max. temperature 70 ° C

Threaded process connections

Color display with 90 ° rotation display



Measuring device suitable for measuring values from a minimum of 0.04l / m (DN5) up to a maximum of 100l / m (DN15). The body totally in AISI 316L makes or instrument suitable also for chemical / food applications. The reduced dimensions and the variety of threaded connections allow an easy and quick mechanical installation. Rotating the display of the TFT display allows horizontal or vertical mounting orientation.

TECHNICAL FEATURES

Range of flow

Processing of signals coming from fluids with speeds up to 10m / s in both directions (bidirectional meter)

Process Connection / Internal Dimension

G ½ " / 5mm

G ¾ " / 10mm

G 1 " / 15mm

Internal lining material

PEEK

Sensor body material

AISI 316L

Electrode material

AISI 316L

Measuring range

0.04l / m to 100l / m

Accuracy

$<(\pm 0.8\%$ of the measured value + 0.5% of the full scale)

Repeatability

$\pm 0.2\%$ of full scale

Supply voltage

19 ÷ 30Vdc

Consumption

Max. 200mA

Temperature range

Process temperature: -20 ÷ + 70 ° C

Ambient temperature: -20 ÷ + 60 °

Output signals

max N.2 outgoing connections configurable separately as:

Analogue output 4 ÷ 20mA, or 0 ÷ 20mA with max 500Ω / 0 ÷ 10V

Configurable pulse output

Output frequency max 1000Hz (2000Hz alarm overflow)

PNP alarm output, or configurable NPN; max 30Vdc 200mA

Control input max 30Vdc

Dosing control output for START-STOP-RESEmeasurable

Electrical connection

4-pin M12x1 connector

Reverse flow

Instant measurement and total reverse flow

Flow measurement simulation

Various flow measurement simulation modes are available

Range cutoff

Adjustable. Below the set value the display of the instantaneous flow and the outputs are forced to zero.

Relative humidity

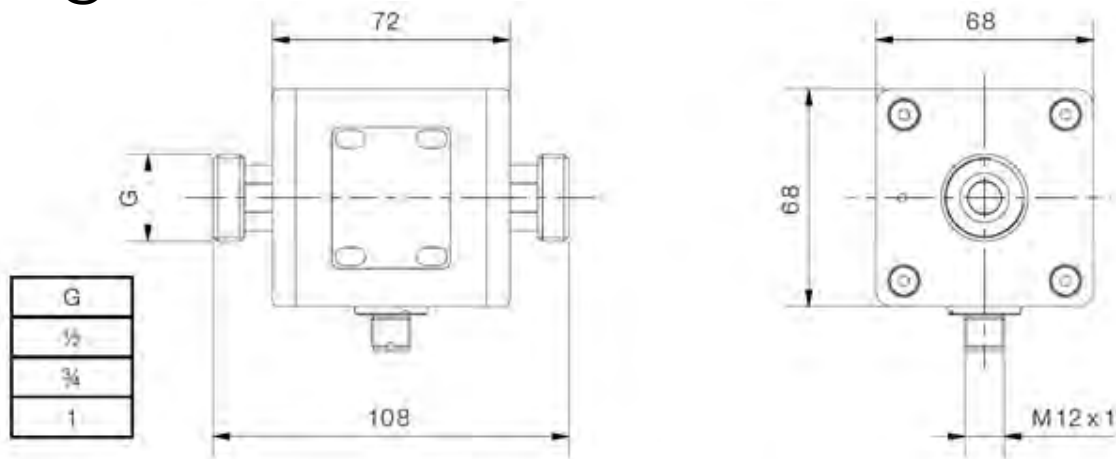
40 ÷ 100% RH at 65 ° C, without condensation

Response time for alarm outputs (integration)

Adjustable between 0 and 6 seconds

Protection

IP67



Electromagnetic flowmeter

For conductive fluids (>20µS) - Sensor body in SS316L
 Ambient temperature -20° + +60°C
 Protection IP67 - 2 configurable outputs
 TFT color display 1.4" with ±90° rotation
 Dosing, measuring and monitoring functions
 Supplied with 5m pre-wired cable + female connector

Version	
Y	Compact - accuracy ±0,8% - Max temperature of the fluid +70°C
Threaded connection / DN sensor pipe / Max. pressure / Lining (temperature range)	
0005E5	G ½" / DN05 / 1,6MPa / PEEK (-20° + +70°C) - Range 0,04 + 10 l/m
0010E5	G ¾" / DN10 / 1,6MPa / PEEK (-20° + +70°C) - Range 0,2 + 50 l/m
0015E5	G 1" / DN15 / 1,6MPa / PEEK (-20° + +70°C) - Range 0,4 + 100 l/m
9999Z9	Special
Process connection	
A	Standard gas threaded
Z	Special
Electrodes material	
1	SS316L
9	Special
Power supply	
B	19+30Vdc
Accessories	
0	None
9	Special
Output	
A	4+20mA / Pulse / Frequency / Alarm configurable
Pipe protection degree	
1	IP67