

- $\pm 0,25\%$ accuracy
- Best quality / price ratio
- Threaded, sanitary type or for vacuum process connections



It is suitable for continuous liquids level measurement. Typical application are waste water and deep wells. It is a pressure transmitter which can be used for liquids, gases, and vapors measurement. The small size pressure transducer offers maximum operational reliability. It is a cheap solution for many different applications in all industrial process control.

TECHNICAL FEATURES

Power supply

12÷42Vdc (2-wires)

Measure range

Gauge pressure Max. 0 ÷ 400bar (0 ÷ 40Mpa);
Min. 0 ÷ 0.1bar (0 ÷ 10kPa)

Absolute pressure Max. 0 ÷ 25bar (0 ÷ 2,5MPa);
Min. 0 ÷ 1bar (0 ÷ 100kPa)

Negative pressure Max.-1 ÷ +39bar (-0.1 ÷ 3,9MPa);
Min. -0.2 ÷ 0,2bar (-20 ÷ 20kPa)

Output

4÷20mA

Overload

1.5 times the F.S

Accuracy

$\pm 0.25\%$

Stability

$> \pm 0.1\%$ FS

Working temperature

$-30^{\circ} \div +120^{\circ}\text{C}$

IP rating

IP65

Temperature compensation

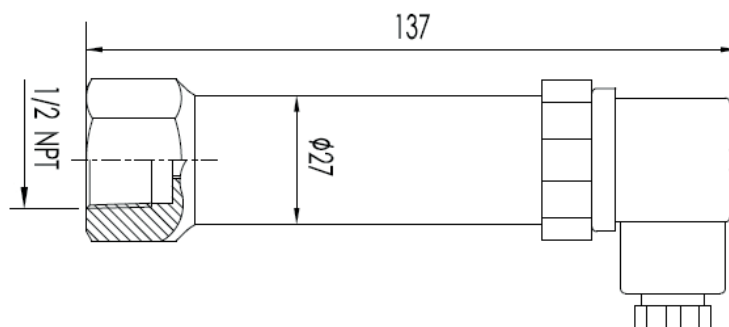
$-10^{\circ} \div +80^{\circ}\text{C}$

Max. Scale adjustment

"Zero" $\pm 5\%$ F.S.; FS $\pm 20\%$ F.S

Display

LCD



Pressure transmitter

Protection: IP65 - Working temperature range: -30÷120°C
 Power supply: 12÷42Vdc - Wire-loop connection (2 wires)
 Output: 4÷20mA - Sealed material: viton (FPM)
 Accuracy: ±0,25%

Version	
D	Standard
E	With flat membrane (only with connections 3,4,7)
S	With sanitary connection
Z	Special

Measure range	
B1	0 ÷ 10KPa (0 ÷ 0,1bar) gauge pr.
C1	0 ÷ 25KPa (0 ÷ 0,25bar) gauge pr.
C2	0 ÷ 40KPa (0 ÷ 0,4bar) gauge pr.
C3	0 ÷ 60KPa (0 ÷ 0,6bar) gauge pr.
D1	0 ÷ 100KPa (0 ÷ 1bar) gauge pr.
D2	0 ÷ 160KPa (0 ÷ 1,6bar) gauge pr.
D3	0 ÷ 250KPa (0 ÷ 2,5bar) gauge pr.
F1	0 ÷ 400KPa (0 ÷ 4bar) gauge pr.
F2	0 ÷ 600KPa (0 ÷ 6bar) gauge pr.
F3	0 ÷ 1,0MPa (0 ÷ 10bar) gauge pr.
F4	0 ÷ 1,6MPa (0 ÷ 16bar) gauge pr.
F5	0 ÷ 2,5MPa (0 ÷ 25bar) gauge pr.
F6	0 ÷ 3,0MPa (0 ÷ 30bar) gauge pr.
F7	0 ÷ 4,0MPa (0 ÷ 40bar) gauge pr. - not available for sanitary versions
G1	0 ÷ 6,0MPa (0 ÷ 60bar) gauge pr. - not available for sanitary versions
G2	0 ÷ 10MPa (0 ÷ 100bar) gauge pr. - not available for sanitary versions
H1	0 ÷ 16MPa (0 ÷ 160bar) gauge pr. - not available for sanitary versions
H2	0 ÷ 25MPa (0 ÷ 250bar) gauge pr. - not available for sanitary versions
H3	0 ÷ 40MPa (0 ÷ 400bar) gauge pr. - not available for sanitary versions
SG	Special gauge pressure
B2	-20KPa ÷ +20KPa (-0,2 ÷ +0,2bar) gauge pr.
C5	-100KPa ÷ 0KPa (-1 ÷ 0bar) gauge pr.
D4	-100KPa ÷ +60KPa (-1 ÷ 0,6bar) gauge pr.
D5	-100KPa ÷ +160KPa (-1 ÷ 1,6bar) gauge pr.
F8	-100KPa ÷ +300KPa (-1 ÷ +3bar) gauge pr.
F9	-100KPa ÷ +500KPa (-1 ÷ +5bar) gauge pr.
FA	-100KPa ÷ +900KPa (-1 ÷ +9bar) gauge pr.
FB	-100KPa ÷ +1,5MPa (-1 ÷ +15bar) gauge pr.
FC	-100KPa ÷ +2,4MPa (-1 ÷ +24bar) gauge pr.
FD	-100KPa ÷ +2,9MPa (-1 ÷ +29bar) gauge pr.
FE	-100KPa ÷ +3,9MPa (-1 ÷ +39bar) gauge pr. - not available for sanitary versions
M1	0 ÷ 100KPa (0 ÷ 1bar) absolute pr.
M2	0 ÷ 160KPa (0 ÷ 1,6bar) absolute pr.
M3	0 ÷ 250KPa (0 ÷ 2,5bar) absolute pr.
O1	0 ÷ 400KPa (0 ÷ 4bar) absolute pr.
O2	0 ÷ 600KPa (0 ÷ 6bar) absolute pr.
O3	0 ÷ 1,0MPa (0 ÷ 10bar) absolute pr.
O4	0 ÷ 1,6MPa (0 ÷ 16bar) absolute pr.
O5	0 ÷ 2,5MPa (0 ÷ 25bar) absolute pr.
SA	Special absolute pressure

Membrane / filling liquid	
A	AISI316L / silicone oil
C	Hastelloy C / silicone oil
X	AISI316L / vegetable oil
Y	Hastelloy C / vegetable oil
Z	Special
Process connection	
0	Special
1	½" NPT female thread SS316
2	½" NPT male thread with ¼" NPT female threaded hole SS316
3	M20 x 1,5 male thread SS316
4	½" G male thread SS316
5	ISO 2861 vacuum connection (max 2.5bar)
6	¼" NPT male thread
7	1" G male thread SS316
A	Sanitary: CLAMP DIN 32676 DN25 / ISO 2852 DN25 (max 30bar) SS316
B	Sanitary: CLAMP DIN 32676 DN40 / ISO 2852 DN38 (max 30bar) SS316
C	Sanitary: CLAMP DIN 32676 DN50 / ISO 2852 DN51 SS316 - only for range B - C - D - M
Accessories	
0	None
X	LCD display
Y	LCD display with 2 switch limited points
Z	Special