



- Ultrasonic level transmitter
- Range 0.3 ÷ 6 meters
- Blind zone 30 cm
- IP68
- Suitable for measuring of liquids
- Comm. Protocol MODBUS/ BLUETOOTH
- Power supply 24 Vdc
- Output: 4 ÷ 20 mA analogue output



Non-intrusive level measurement systems are the preferred technology for many applications and for this reason it developed the level/distance transmitters. These units are compact with a unique simplicity of commissioning. Calibration and transmitter configuration is possible, even remotely, thanks to a MODBUS RTU connection together with the related software for the PC, or via display unit. The IP68 transmitter protection allows installation in underground wells. The application for configuration and programming via bluetooth, available on Google Play, is compatible with the most common devices with operating system ANDROID 4.2 and subsequents. It is possible to read the measurements detected by the transmitter and set the configuration parameters of the sensor. The smartphone terminal must be equipped with the BLUETOOTH device of class 1 and version 2.1. The maximum reception / transmission distance is 15m in open air.

TECHNICAL FEATURES

Housing material

PP

Mechanical installation

1" GAS M - PP flange DN100/125 opt.

Protection degree

IP68

Electrical connection

IP68 male connector with 5/10/15/20m linking cable

Working temperature

-25 ÷ +75°C

Pressure

From 0,5 to 1,5 bar (absolute)

Power supply

24Vdc

Power consumption

1.5W

Analog output

4÷20mA max 750ohm

Digital communication

MODBUS RTU

Range

0.3÷6m

In case of non perfectly reflecting surfaces, the maximum distance value will be reduced

Temperature compensation

digital in the working temperature

Accuracy

±0,2% (of the measured distance) not better than ±3mm

Resolution

1mm

Calibration

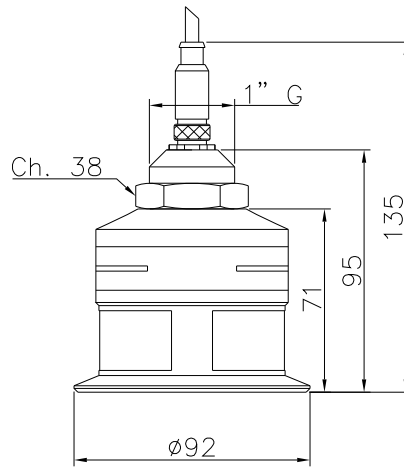
Prog. module with 4 buttons; MODBUS; or via smartphone

Warm-up

30 minutes

Display

LCD display on module (opt.); Android App



Level transmitter

Ultrasonic - for measurement in liquids, muds, acids and granulates.

Range: 0,3 ÷ 6m; IP68 proof

Housing in polypropylene (PP)

Calibration by units, via MODBUS or via BLUETOOTH with Android APP Power supply

24Vdc - Output 4÷mA + MODBUS

Temperature range -25 ÷ +75°C

Version	
B	With SS316 male connector + BLUETOOTH
E	With SS316 male connector
Z	Special
Process connection / Sensor material	
0	G 1" / PP + n.1 1" BSP/ PP fixing bolt
1	DN100 PN6 UNI 1092-1 / PP flange
9	Special
Accessories	
A	None
F	MODBUS PC communication S/W (010F105A)
H	Extension L=250mm in PP + DN100 flange
L	Adjustable extension in PP + DN100 flange (Lmin= 85mm Lmax=690mm)
T	IP68 female connector with 5m linking cable
U	IP68 female connector with 10m linking cable
V	IP68 female connector with 15m linking cable
W	IP68 female connector with 20m linking cable
Z	Special