

- Accuracy $\pm 0.075\%$
- Range 1 mbar \div 20 bar
- Hart communication
- LCD backlight display
- Settings via display
- Fast time responsive self-diagnostics
- ATEX



It is a differential pressure transmitter with performance at the top of the range and is designed for specific installations in processes where accuracy and stability over time are essential characteristics. Thanks to its technology it measures very low differential pressures from 1 mbar (10 mm H₂O). It is fully programmable by means of two external watertight buttons and a matrix backlight display.

The programming or modification of the measurement parameters can be carried out in heavy duty ambient conditions without having access to the internal instrument parts thus maintaining the degree of protection IP67.

TECHNICAL FEATURES

Measure range

Differential pressure Max. 0÷20bar (0÷2Mpa); Min.
0÷0.001bar (0÷100Pa)

Accuracy

± 0.075

Analog output resolution

15 bit

Communication protocol

HART

Zero and span calibration

onboard buttons

Data display

backlit alphanumeric display

IP rating

IP67

Accuracy

$\pm 0.075\%$

Stability

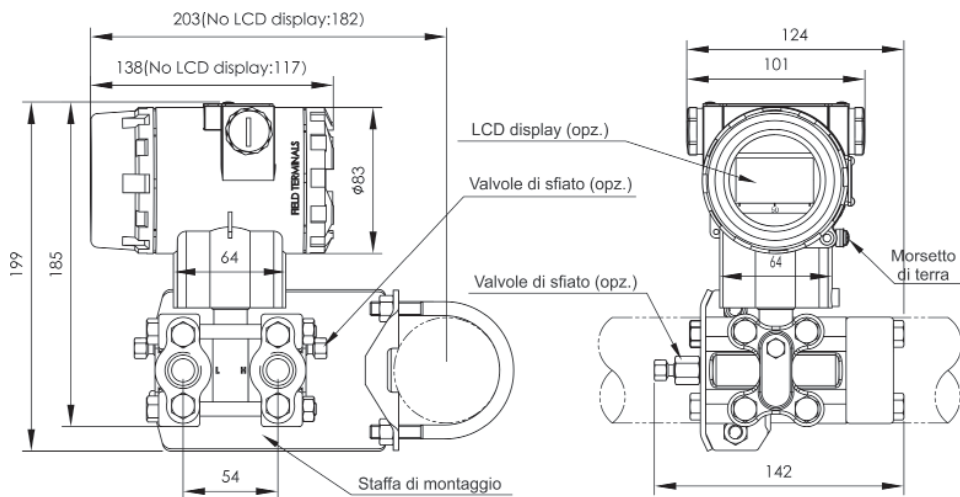
$> \pm 0.1\%FS$

Working temperature

$-40^{\circ}\div+85^{\circ}C$

Certificazion

Atex



Differential pressure transmitter

IP67 - Operation temperature: -40 ÷ +85°C
 Power supply: 12÷42Vdc (2-wire)
 4÷20mA HART

Accuracy	
H	± 0,075%
Measure range	
A	0 - 100Pa ÷ 1kPa (0 - 1 ÷ 10mbar) (0 - 10 ÷ 100 mmH ² O)
B	0 - 200Pa ÷ 6kPa (0 - 2 ÷ 60mbar) (0 - 20 ÷ 600 mmH ² O)
C	0 - 400Pa ÷ 40kPa (0 - 4 ÷ 400mbar) (0 - 40 ÷ 4000 mmH ² O)
D	0 - 2,5kPa ÷ 250kPa (0 - 25 ÷ 2500mbar) (0 - 0,25 ÷ 25 mH ² O)
E	0 - 20kPa ÷ 2MPa (0 - 0,2 ÷ 20bar) (0 - 2 ÷ 200 mH ² O)
Membrane / filling liquid	
A	AISI316L / silicone oil
B	AISI316L / fluorinated oil
C	Hastelloy C / silicone oil
D	Hastelloy C / fluorinated oil
E	AISI316L gold plated / silicone oil
F	AISI316L gold plated/ fluorinated oil
G	AISI316L EFP plated / silicone oil
T	Tantalum / silicone oil
Working pressure	
1	16MPa
2	25MPa
3	40MPa
Process connection	
B	¼" - 18 NPT female SS316 thread with relief valves at the end of the flange
D	¼" - 18 NPT female SS316 thread with relief valve on the lower part of the flange side
N	¼" - 18 NPT female SS316 thread without relief valves
U	¼" - 18 NPT female SS316 thread with relief valve on the upper part of the flange side
Z	Special
Sealed material	
F	Viton (FKM)
N	Perbunan (NBR)
P	Teflon (PTFE)
Special functions	
N	None
O	Degrease cleansing treatment (just with fluorinated oil and Viton seal, max 60°C)
P	Line noise filter
Fixing bracket for panel and pipe mounting (2")	
1	SS304
2	Galvanized carbon steel
N	None

Process connection accessories	
1	SS316 oval-shaped flange with 1/2" NPT female thread
2	SS316 D-shaped connector with M20x1.5 male thread (welded connection)
N	None
Display	
2	Backlit LCD
N	None
Certification	
A	Intrinsically Safe ATEX II 1/2G Ex ia IIC T4 Ga/Gb
D	Explosion proof ATEX II 2 G D Ex db IIC T4/T5/T6 Gb Ex tb IIIC T80°C/T90°C/T130°C - Ta = -40°C ÷ +60°C
N	None