



# SI0Uxx0Ex

## Sensor fitting for immersion installation of conductivity cells Mod.401Uxx0O0x0A,

Sensor fitting for immersion installations suitable to mount the 401Uxx0O0x0A conductivity cells.

These probes are handy and can be easily installed on basins, channels and open tanks.

Mod.SI0U sensor fittings are made of PP, PVDF or stainless steel, with Ø42 mm body and are supplied c/w mounting flange.

Typical applications for SI0U sensor fittings are all those plants where the measure of conductivity in immersion installation is required, such as: drinking water plants, wastewater treatment plants, in basins, channels, rivers and tanks.

### Advantages

- Sturdy and compact execution
- Suitable to house Mod.401Uxx0O0x0A conductivity cells
- Easy to install
- Supplied c/w sliding fixing flange
- Low maintenance requirements

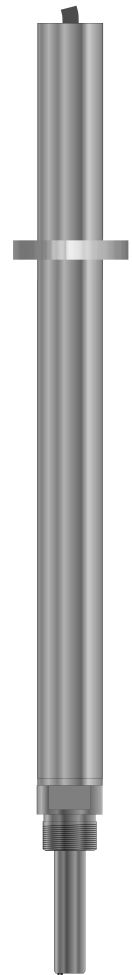
### Operating principle and realization

SI0U sensor fitting includes a body with 42 mm diameter, 600, 1000 or 1500 mm standard length, a cap on the upper part of the fitting and a cell holder dimensioned to house Mod. 401Uxx0O0x0A conductivity cells. The fitting body is available in PP and PVDF; SS only upon request. The cell holder allows easy cell replacement.

The sensor fitting can be easily installed through a sliding flange, ISO/DIN DN32, that can be fixed in its position on the body with two screws (included).

### Technical Specifications

Body material:.....PP or PVDF (SS upon request)  
 Operating temperature limits: (\*):.....5 to 70°C (PP); 5 to 110 °C (PVDF); 5 to 120°C (SS)  
 Storage temperature limits:.....0 to +60 °C  
 Electrodes cable: .....q.ty 1  
 Max.allowed distance from sensor to instrument:.....15 m  
 Mounting: .....supplied c/w mounting flange ISO/DIN DN 32  
 Dimensions: .....Ø42 mm, 600 – 1000 – 1500 mm length  
 Weight:.....apprx.0.5 Kg (600 mm version)



### Installation, Calibration & Maintenance

The sensor fitting can be installed through the sliding flange in basins or tanks, in a vertical position; it may also be installed in a inclined position, with a maximum deviation of 75° from vertical axis. A stainless steel mounting bracket is available for probe mounting: order code SI0Uxx0x2).

The immersion depth can be set by moving the position of the flange on the fitting body ; the flange can then be fixed with the two screws. The conductivity cell must be immersed in order to measure correctly: the immersion depth can be seen in the dimensional drawing hereafter.

This probe has very low maintenance requirements: it is recommended to clean the conductivity cells at periodical intervals defined by the operators on the basis of his own experience of the specific process. After the cleaning always operate a check of the sensitivity of the measuring chain.

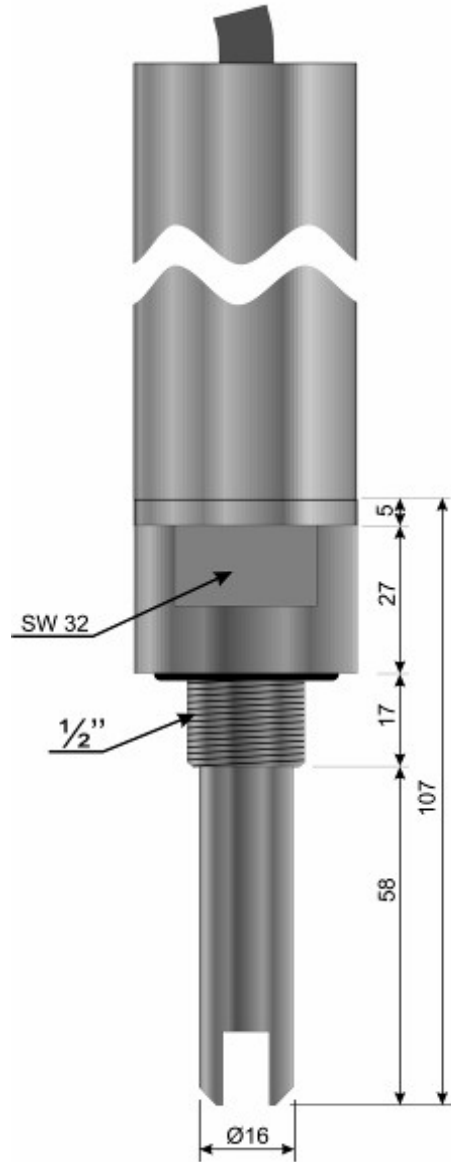
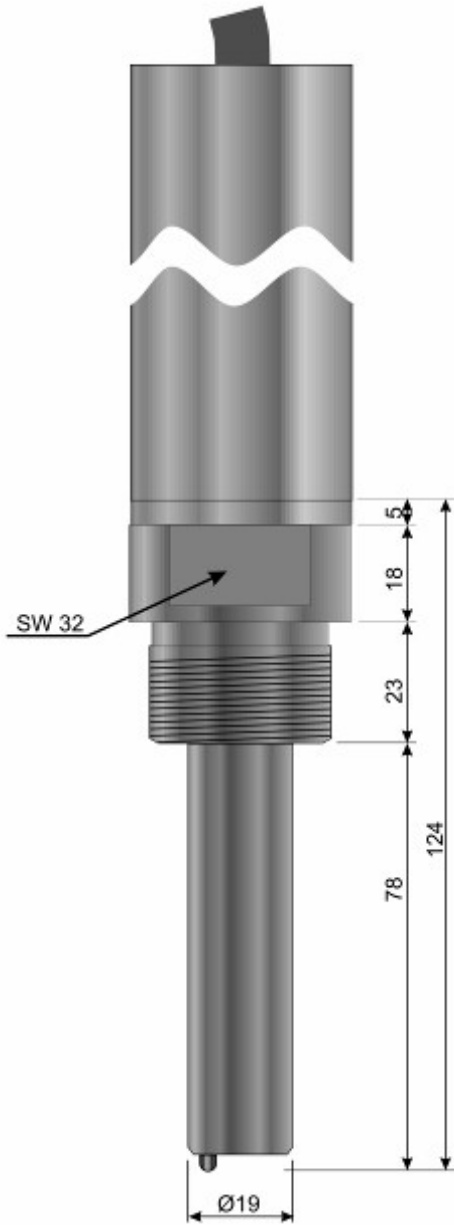
The calibration can be operated either by comparison to properly calibrated portable conductivity meter or extracting the probe from the process liquid, cleaning it and then immersing it into the known conductivity standard solutions. Calibration frequency is to be defined by the operator according to specific process requirements.

# SI0Uxx0Ex

## Outline Dimensions

Cell 401U2x000x0A

Cell 401U3x000x0A and Cell 401U5x000x0A



Probe length: 600 mm, 1000 mm, 1500 mm according to selected code.

# SI0Uxx0Ex

## Order code breakdown

	SI0	x	x	x	x	x	x
Sensor fitting for immersion installation	SI0						
<b>Type of sensor fitting</b> Ø 42 mm for conductivity cell Mod.401Uxx0O0x0A		U					
<b>Probe length (under the flange)</b>							
Reserved			0				
600 mm			2				
1000 mm			4				
1500 mm			5				
Special execution			9				
<b>Probe construction material</b>							
Reserved				A			
Polypropylene, PP (standard)				B			
PVDF, Ø 42 mm probes, length up to 1000 mm				D			
PVDF, Ø 42 mm probes, lengths up to 1500 mm				G			
SS, AISI 316, Ø 42 mm probes, lengths up to 1000 mm				L			
Special execution				Z			
<b>Fixed Code</b>						0	
<b>Calibration vessel</b> Not included							E
<b>Fixing bracket</b>							
Reserved							0
For probes with 42 mm diameter							2
Not included							4

## Accessories included in the supply

Sliding flange ISO/DIN DN25

## Optional Accessories

Stainless steel bracket for wall installation .....Order probe with code SI0Uxx0x2

Known conductivity solution for the calibration of conductivity measuring chain, 250 ml bottle.....T/401-A

Specify desired conductivity value; typical values are:

1,278 mS, 11,67 mS and 102,09 mS, other values are available upon request.