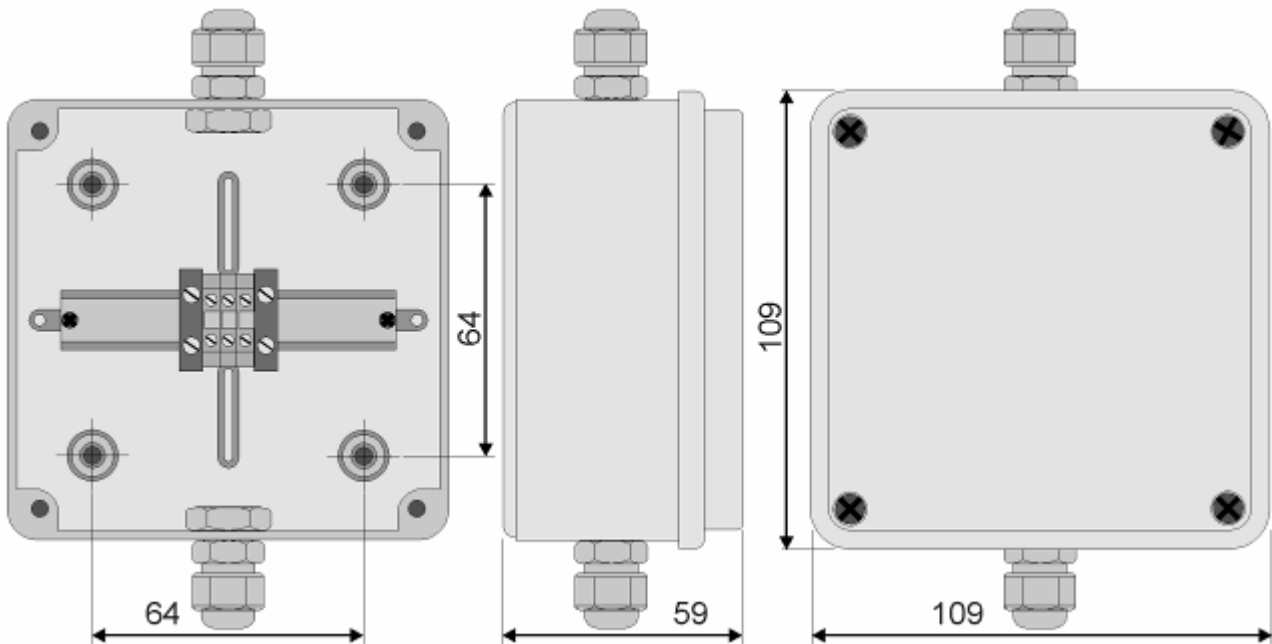


Junction box



Junction box for the connection of one or two sensor to a remote transmitter. The number of terminals depends upon type and number of sensors to be connected. Cable glands for cable inlet and for cable outlet assure IP65 protection degree.

Typical application for Mod.S/366 junction box is the connection of various type of sensors to pertinent electronic units remotely located.

Advantages

- IP65 protection degree
- Suitable for the connection of one or two sensors to their electronic units

Operating principle and realization

Junction box Mod.S/366 are available for the connection of one or two sensor to pertinent transmitters. The number of terminals and of cable glands depends upon type and number of sensors to be connected. Protection degree of the junction box is IP65.

Technical Specifications

Construction material:.....plastic
 Operating temperature limits:-25÷60 °C
 Protection degree:IP 55

Order code breakdown

	S/366	x
Junction box	S/366	
Number of input/output		
Suitable for 1 sensor c/w temperature sensor		A
Suitable for 2 sensors c/w temperature sensor		B
Other upon request		Z