

Pipe c/w support for instruments

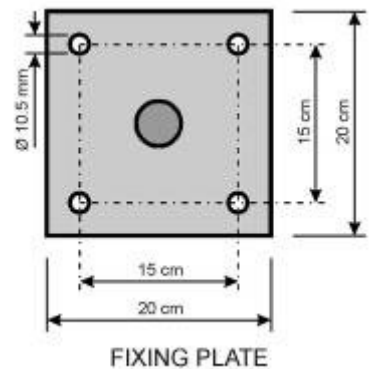
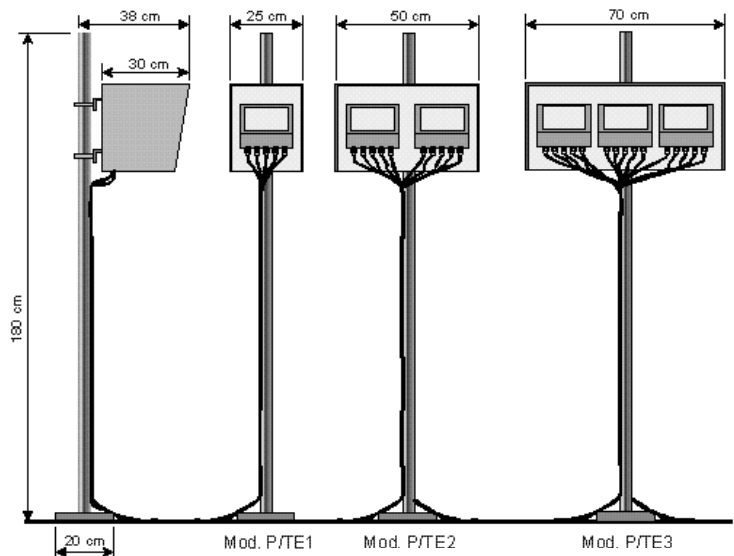
Stainless steel pipe complete with shelter for instrumentation mounting and protection. The shelter can house one, two or three instruments. Its mounting height can be adjusted. The system can be floor mounted. The shelter can be supplied with or without the holes for the instruments mounting. Typical applications for Mod.P-TE structure are wastewater treatment plants, drinking water plants and all those plants where electronic units have to be installed outdoors.

Advantages

- Simple and sturdy execution
- Allows installation and protection of one, two or three electronic units
- Can be supplied c/w or w/o fixing holes for instruments
- Easy mounting near the basin or tank
- The shelter height of installation can be adjusted

Operating principle and realization

Mod.P-TE structure is made of a stainless steel AISI 304 pipe \varnothing 42 mm, h.1800 mm, and a stainless steel AISI 304 shelter suitable for the mounting and the protection of instruments designed for outdoor installations. The shelter can house one, two or three instruments and its height of installation can be adjusted. The system can be floor mounted via a base plate, 5 mm thick, and suitable fixing screws or nuts (\varnothing 8 or 10). The shelter can be supplied with or without the holes for the instruments mounting.



Order code breakdown

P-TE	x	x	x	x
Pipe c/w shelter	P-TE			
Nbr of electronic units to be mounted				
Shelter with no pre-drilling	0			
One instrument	1			
Two instruments	2			
Three instruments	3			
Electronic unit Position 1				
Reserved		A		
uP-IP		B		
Other		Z		
Electronic unit Position 2				
Reserved			0	
uP-IP			1	
Other			2	
Electronic unit Position 2				
Reserved				A
uP-IP				B
Other				Z