

radar level transmitter

Not to be supplied in France, Germany, Great Britain and Sweden

Level Transmitters by continuous pulsed radar without contact with the product

Measuring range up to 30 m

Measurement accuracy: ± 10 mm

High temperature and pressure of process



Non intrusive system application is now preferred in the level measurements field. For this reason we developed this unity to best meet the "GENERAL-PURPOSE" application requests. It is a radar sensor for continuous measurement liquids, also chemically aggressive, in standard process conditions. Suitable for level measurement in tanks with 1 1/2 "G threaded connection. The slim rod antenna allow the installation into standpipes.

TECHNICAL FEATURES**Frequency**

C group (6.3GHz)

Housing / Antenna material

aluminum / SS316L; PTFE / PP

Mechanical installation

threaded G 1 1/2 A

IP rating

IP67/IP68 (Sensor)

Electrical connection

Terminals

Working temperature

Antenna PTFE -40 ÷ +120°C

Antenna PP -20 ÷ +100°C

Pressure

-1 ÷ 3 bar

Power supply

24Vdc; 230Vac

Analog output

4÷20mA

Digital communication

HART

Measure range

30 mt

Accuracy

± 10 mm

Resolution

1mm.

Calibration

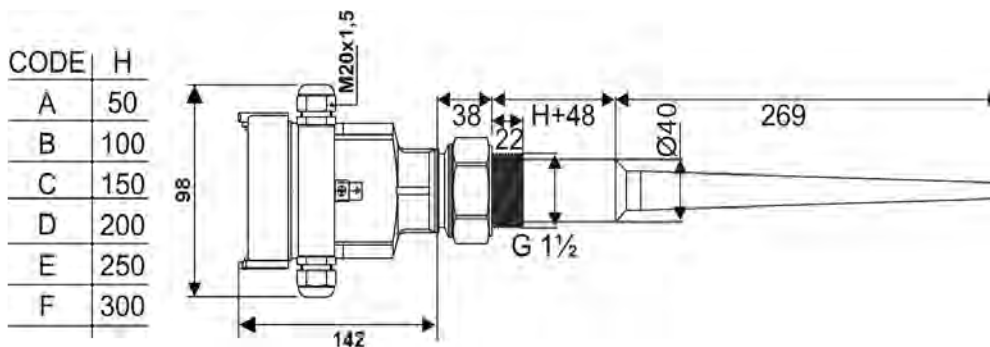
4 buttons or via HART

Warm up

5 minutes

Display

Plug-in display/keyboard 4 buttons matrix LCD



Radar level transmitter

Micro-waves pulse group C
 For liquids measurement also with strong erosive products
 Max. distance: 30m
 Accuracy: ±10mm
 Process pressure: -1,0+3bar
 Conic antenna length: 270mm

Version	
P	Standard
Antenna shape / Material / Process temperature	
A	Mono-pole / PP / -20 ÷ +100°C
B	Mono-pole / PTFE / -40 ÷ +120°C
Antenna extension (blind zone H)	
A	98mm (standard)
B	148mm
C	198mm
D	248mm
E	298mm
F	348mm
Z	Special
Process connection / Material	
GP	Thread G1" ½ / PVDF (PN3)
ZZ	Special
Electronic preamplifier	
A	None
B	4+20mA HART (2-wire); 24Vdc
C	4+20mA HART(4-wire); 24Vdc
D	4+20mA HART(4-wire); 230Vac
Housing / Housing protection / Antenna protection	
D	Aluminum 2 chambers (for 4-wire versions) / IP67 / IP68
G	SS316L / IP67 / IP68
U	Aluminum with transparent cap / IP67 / IP68
Z	Special
Cable entry	
M	M20x1,5
Keyboard/display programming module	
A	Yes
X	No