

**radar level transmitter**

Not to be supplied in France, Germany, Great Britain and Sweden

**Continuous level measurement without contact for liquids, pastes and slurries**

**Range 10 m**

**Process pressure 3 bar**

**2 /4 wires technology**

**Pulse Radar at 26 GHz (K-band)**

**ATEX**



It is a radar sensor for continuous measurement on liquids, even chemically aggressive, in the presence of not particularly heavy process conditions. Suitable for level measurement in tanks with 1½ "G threaded connections. The small antenna allows the installation in calm pipes or in small tanks, moreover the availability of different measures of the antenna extension allow installation in the presence of insulation or other thicknesses to overcome

**TECHNICAL FEATURES****Frequency**

K group (26GHz)

**Housing / Antenna material**

aluminum; PVDF

**Mechanical installation**

threaded G 1½

**IP rating**

IP67/IP68 (Sensor)

**Electrical connection**

Terminals

**Working temperature**

Antenna PVDF -40 ÷ +130°C

**Pressure**

-1 ÷ 3 bar

**Power supply**

24Vdc; 230Vac

**Certification**

ATEX

**Analog output**

4÷20mA

**Digital communication**

HART

**Measure range**

10 mt

**Accuracy**

±10mm

**Resolution**

1mm.

**Calibration**

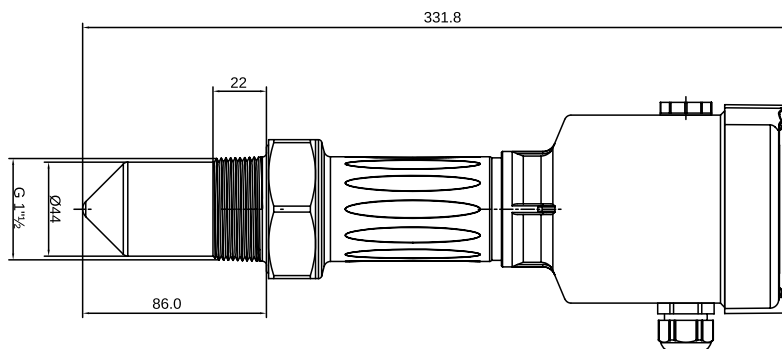
4 buttons or via HART

**Warm up**

5 minutes

**Display**

Plug-in display/keyboard 4 buttons matrix LCD



Radar level transmitter

Micro-waves pulse 26GHz group K  
 For liquids measurement also with strong erosive products  
 Max distance: 10m  
 Accuracy: ±5mm  
 Process pressure: -1+3bar

Version	
I	ATEX II 1 G/D Ex ia IIC T6...3 Ga / Ex ia IIIC T76°C...T146°C Da - only with G housing and B electronic
P	Standard
Antenna shape / Material / Process temperature	
B	Mono-pole / PVDF / -40° ÷ +130°C
Process connection / Material	
GP	Thread G 1"½ / PVDF
ZZ	Special
Non sensitive part (for nozzle mounting)	
A	100 mm
B	200 mm
Electronic preamplifier	
A	None
B	4+20mA HART (2-wire); 24Vdc - compulsory for ATEX version
C	4+20mA HART (4-wire); 24Vdc
D	4+20mA HART (4-wire); 230Vac
Housing / Housing protection / Antenna protection	
D	Aluminum 2 chambers (for 4-wire versions) / IP67 / IP68
G	SS316L / IP67 / IP68 - compulsory for ATEX version
U	Aluminum with transparent cap / IP67 / IP68
Z	Special
Cable entry	
M	M20x1,5
Keyboard/display programming module	
A	Yes
X	No